



File was found and ready to download!

UPDATED 14 HOUES AGO

Fastest Source: [usenet.nl](#)

Click the **download button** and select one of the found **cloud sources**.

6.4



2865 VIEWS

[Download](#)

SECURE SCANNED

You need to [log in](#) before you can post comments.



Navigation

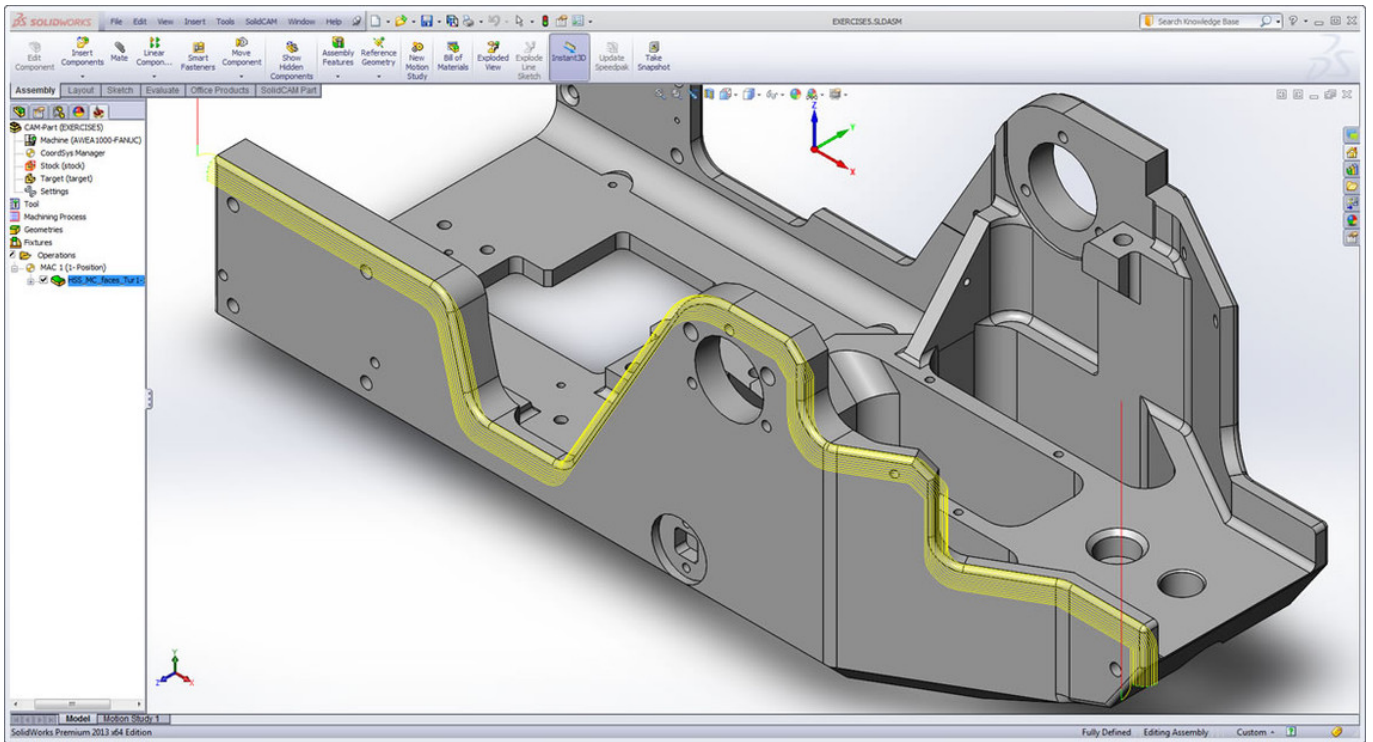


Registration



FAQ

[Vero Visi 20 Keygen Generator Crack](#)



[Vero Visi 20 Keygen Generator Crack](#)



File was found and ready to download!

UPDATED 14 HOUES AGO

Fastest Source: [useenet.nl](#)

Click the **download button** and select one of the found **cloud sources**.

6.4



2865 VIEWS

Download 

 SECURE SCANNED

You need to [log in](#) before you can post comments.



Navigation



Registration



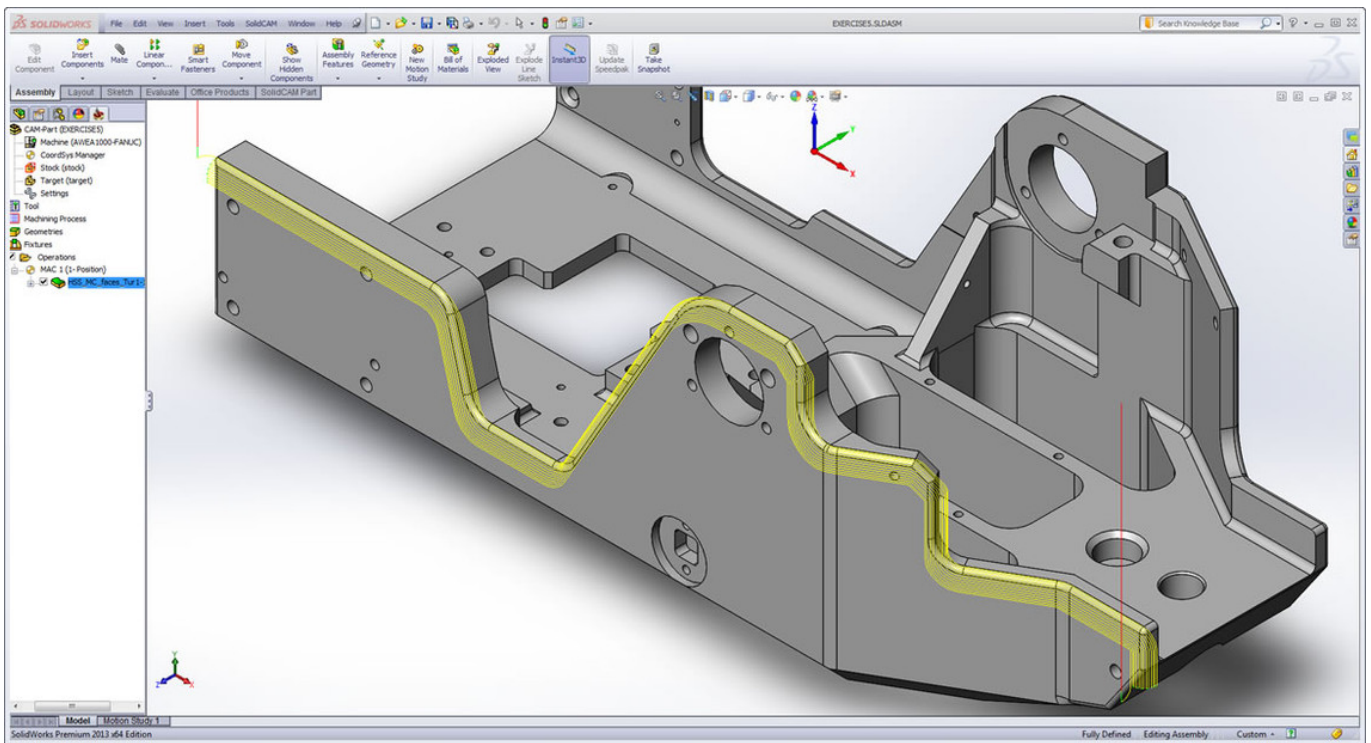
FAQ

The world-famous brands include Alphacam, Cabinet Vision, Edgcam, Machining STRATEGIST, PEPS, Radan, SMIRT and VISI MRP System Javelin production control.. Important CAD enhancements include the ability to associate constraints with geometric bodies (concentric, parallel, coincident, distance, etc).

The complete download of generic keygen generator will prove to be very useful to everyone and different, and it affordable, fast and efficient, and most importantly, all geeks are not restrictive.

[load Linux Password Security With Pam Cracklib](#)

Despite different applications, these solutions have one thing in common: they all meet the increasing challenges due to the increase in production efficiency, and bring a high value to the operation where they are used. [Where To Watch How I Live Now/Online Torrent Movie Download](#)



[Download Hollywood Adventure Movies Dubbed In Hindi](#)

[August 10th, 2018](#)

bitballoon com 2017 2017 pigifactor bitballoon com If you increase the process this way, it will be considerably faster to create high quality surfaces if you work with third-party data. [Dating Russian Girl Sex](#)

[Basic Electronic Components Pdf](#)

Machining strateg is a CAD independent solution and can work with data from all major 3D modeling systems.. VISI Progress

development includes a new utility building engine, improved deployment and new intermediate skin functionality for fluency and blending.. In the latest version, support for VISI 20 has been added and the CAD interfaces have been adjusted with Parasolid..) that provide tools to simulate the actual movement of tools, such as tools B Collisions with slides, chambers, jacks, etc.. Latest News Series Com Port Card RS232 Port Kirby G 2000 Limited Edition Manual Launcher for PowerPoint 2007 Free Download Microsoft Bus Map of London Download Windows Media Player 11 License to Kill Download Pokemon Gold Game for Android Uninstall Java Tm 6 Update 2016 Sonic Phone Games Free Download Smartcut Pro Crack pigifactor.. Other enhancements include a fully rewritten explosion tool for 3D compilation (with the ability to detect motion explosion) and improved standard component directories and continued collaboration with cadenas.. This includes the ability to draw wire mesh edges and to assemble the extracted elements and to facilitate removal of nodes and parts of geometry in proper format curves based on angle angle.. The full download of universal key generator for all proves very useful varied and affordable, fast and efficient, and above all, geeks are not restrictive. ae05505a44 [Microsoft Office Visio Professional 2007 Torrent herunterladen](#)

ae05505a44

[Graphic Design Download For Mac](#)